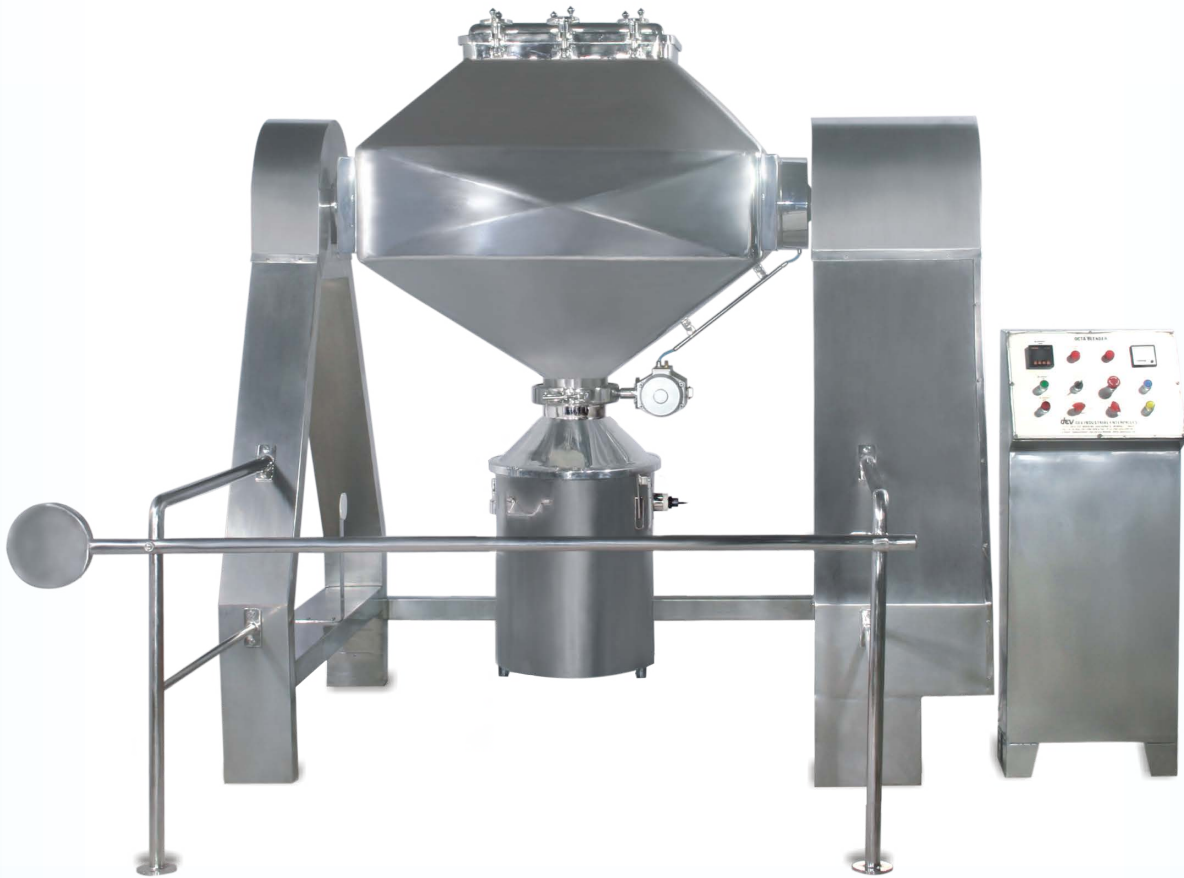


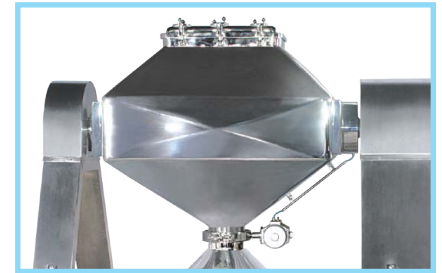
# OCTAGONAL BLENDER

Tapasya' s Octagonal Blender, the unique octagonal shape is designed to process larger volume of material for efficient angular momentum of the powder to achieve blend uniformity. It is ideal for gentle blending of dry granules or for powder mixing and has wide applications range across many industries. Tapasya has successfully installed over 1800 octagonal blenders world-over.



## Features:

- Material handling through Bin charging or Vacuum charging
- Dust free closed system in Bin charging
- Lower Power consumption than other tumble blenders
- Slow speed Blender with Gentle blending of Dry granules and powder
- Maintenance free design
- Rectangular opening Lid with Removable Baffle mounted inside
- Optional in built in Vacuum design with no external PTS required
- Zero Jerk Load as machine is both dynamic and statically balanced
- Baffles are eliminated with blending profile analysis available
- Complete Design engineering along with the Extrapolation data available
- Detailed torque calculation for the Bin loading Model available
- Pneumatically actuated valves for dust free transfers
- Bins with Level sensory for automatic cut off
- Mechanical Seals on shafts for Pneumatic connections
- cGMP design for ease of cleaning
- CE Certified



Octagonal Design for  
Multifold Action Blending



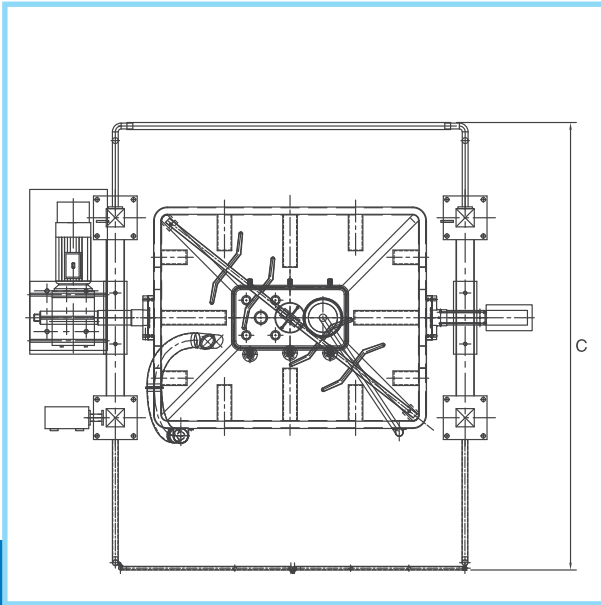
Bin Type Charging

## Benefits For You:

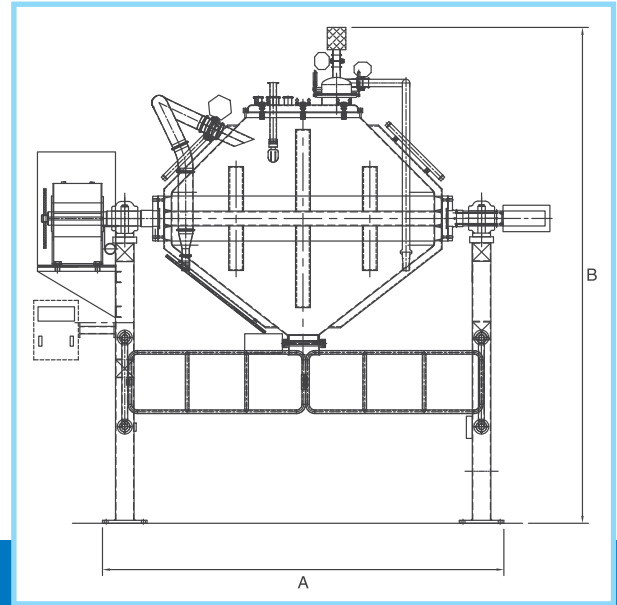
- Ideal for all your 'Gentle Blending' needs
- Designed for total dust-free handling
- Maintenance free design
- Occupies less space
- Lower power consumption
- Easy to wash in place with cGMP design
- Documentation support available



Optimum Space Utilization



Plan view



Elevation view

### Technical Specifications:

MODEL	GROSS CAPACITY (in Liters)	WORKING CAPACITY (in Liters)	OVERALL DIMENSIONS (in mm)			MOTOR HP	APPROX. WEIGHT (in kg)
			L	B	H		
TAP-OB-100	100	70	1000	800	1400	3	800
TAP-OB-300	300	210	1550	1200	1700	3	2000
TAP-OB-750	750	525	2000	1500	2600	5	2600
TAP-OB-1500	1500	1050	2300	1600	2800	7.5	3000
TAP-OB-3000	3000	2100	2600	1900	3200	10	4000
TAP-OB-5000	5000	3500	3500	2500	4000	15	4500
TAP-OB-8000	8000	5600	4000	2900	4600	20	5500
TAP-OB-16000	16000	11200	4400	3600	5200	30	7000

Customised sizes available on request  
Laboratory model design available

### Octagonal Blender used in Industries:

- Pharmaceutical
- Nutraceutical
- Food
- Cosmetics