

CIP / WIP SKID

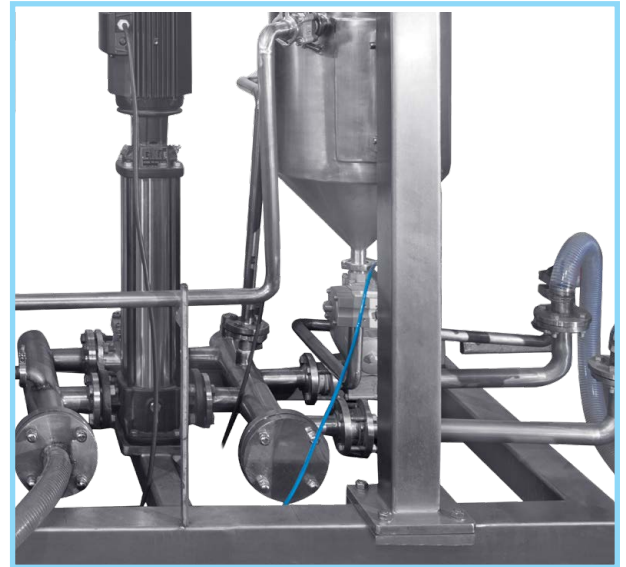
Clean-in-place (CIP) / Wash-in-place (WIP) technology from Tapasya offers reliable cleaning of process equipment and piping with fully-automated, State-of-art' technology.

Tapasya's CIP / WIP system is designed to achieve efficient circulation of cleaning medium such as purified water, hot water, detergent solution with special provision of sanitization to emphasize purity. from Tapasya means you can trust that your stainless steel tanks, pumps, valves and controls have been selected with special attention for - attention that minimizes costs, maximizes productivity and efficiency, and emphasizes purity.



Features:

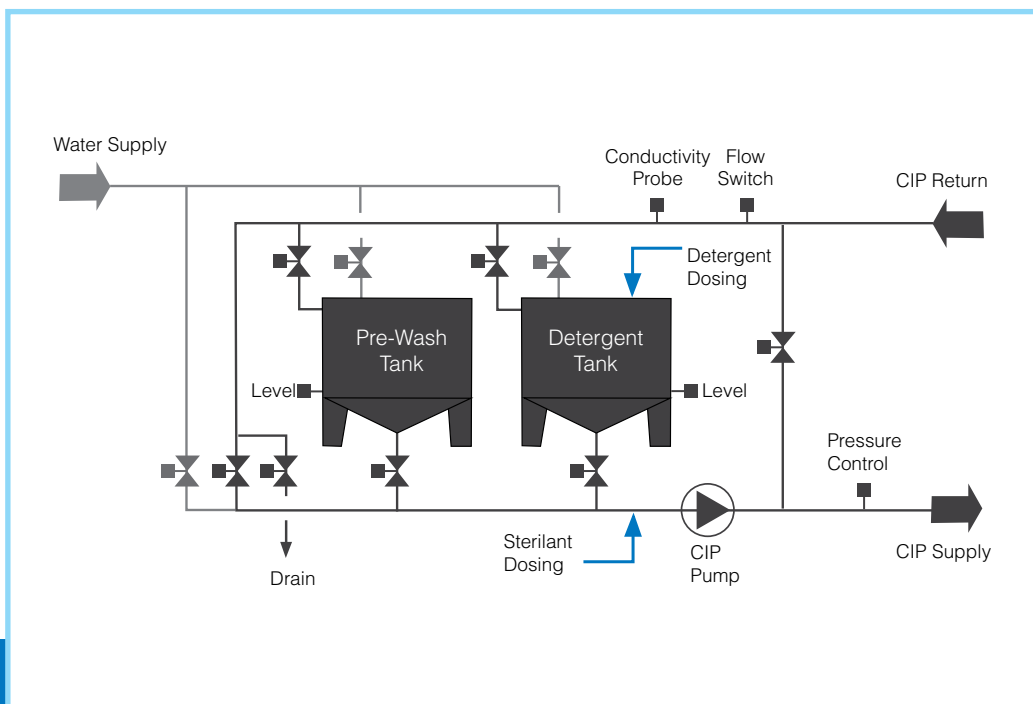
- Complete Clean system
- Proper CIP design with regulated time, flow & temperature to thoroughly remove residue
- Custom designed to suit individual plant & application requirements along with its control systems
- Complete automated process through PLC system for Recipe type functions
- User-friendly Maintenance design for Ergonomics
- Multiple options available for Heating, Mobility & Material of construction



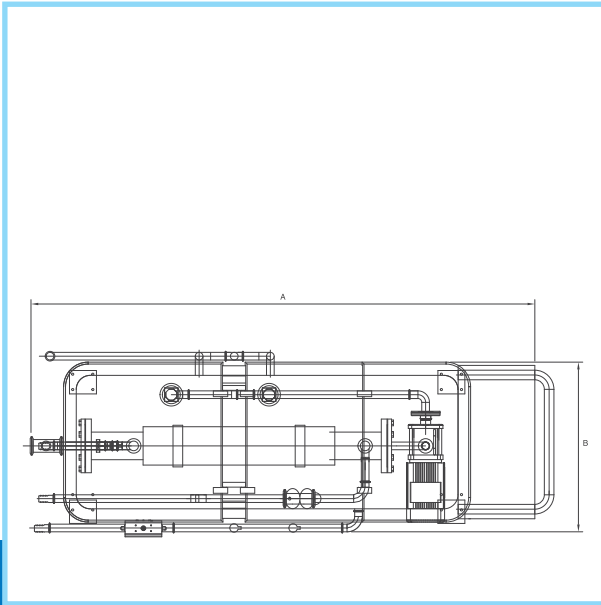
Sanitary Piping

Benefits For You:

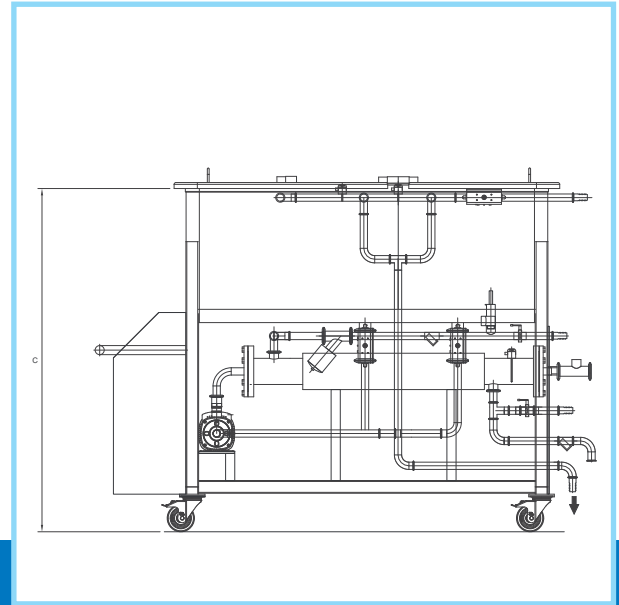
- Reduced Operating time & costs
- Customised Design as per Your Requirements
- Documentation support to comply with Regulatory & Validation Requirements
- Easy Maintenance & Low Maintenance Costs



CIP SKID Schematic



Plan view



Elevation view

Technical Specifications:

MODEL	OVERALL DIMENSIONS (in mm)			MOTOR HP	APPROX. WEIGHT (in kg)
	L	B	H		
TAP-CIP	3000	2700	3000	3	800

Customised sizes available on request

CIP SKID used in Industries:

- Pharmaceutical
- Nutraceutical
- Food
- Chemical
- Cosmetics